

Features

- Universal input 100-240VAC
- Interchangeable Power Supply
- Approved to UKCA, CE, cULus, TUV, RCM (C-Tick), RoHS & REACH
- UL/IEC/EN 62368-1 Safety Approved
- Meets Efficiency Level VI
- EMC Class B Certified
- Single Output 9-30V DC
- OVP, OCP, OTP SCP



Ideal Power's 15DYS850-xyW-K 50W AC/DC External Adapter Interchangeable Power Supply (PSU) Series are certified to UKCA, CE, cULus, TUV, RCM (C-Tick), RoHS, REACH & UL/IEC/EN 62368-1 Standards and comply with Efficiency Regulations. These are primarily used in ITE, Audio & Video Industries and customised solutions are available upon request.

Models

Model Number	Output Voltage	Output Current	Output Power
15DYS850-090500W-K	9V DC	5A	45W
15DYS850-120420W-K	12V DC	4.2A	50W
15DYS850-150336W-K	15V DC	3.36A	50W
15DYS850-180280W-K	18V DC	2.8A	50W
15DYS850-240210W-K	24V DC	2.1A	50W
15DYS850-300168W-K	30V DC	1.68A	50W

Input Data

	Min	Typical	Max	Units	Notes
Input Voltage	90	--	264	V AC	100-240VAC +/- 10%
Input Frequency	47	--	63	Hz	50-60Hz +/- 5%
Input Current	--	1.3	--	A	
Inrush Current	0	--	60	A	At cold start, 100 / 240V AC
Leakage Current	--	--	0.25	mA	

Output Data

	Min	Typical	Max	Units	Notes
Output Voltage		5		%	
Ripple & Noise		1		%	
Over Current Protection	Typically, 115-135% of Rated Current				
Short Circuit Protection	Continuous short circuit proof. Will recover if fault condition is removed				
Over Voltage Protection	Will recover if fault condition is removed				

Environmental Data

	Min	Typical	Max	Units	Notes
Operating Temperature	0	--	+40	°C	
Storage Temperature	-20	--	+80	°C	
Operating Humidity	10	--	90	%	Operating 10% to 90%
Operating Humidity	5	--	95	%	Storage 5% to 95%

Other Information

	Min	Typical	Max	Units	Notes
Isolation	--	--	--	--	2KVdc, between primary and secondary circuit
MTBF	--	50,000	--	hrs	
Weight					200 +/-10g
Dimensions					Refer to mechanical drawings

EMC Emissions (2014/30/EU)

	Standard	Test Level	Criteria	Notes
Conducted	EN 55032	Pass	B	EMC Directive 2014/30/EU
Radiated	EN 55032	Pass	B	
Harmonic Standard	EN 61000-3-2		Class D	P.F. shall >0.95 @100Vac input and >0.9 @240Vac input

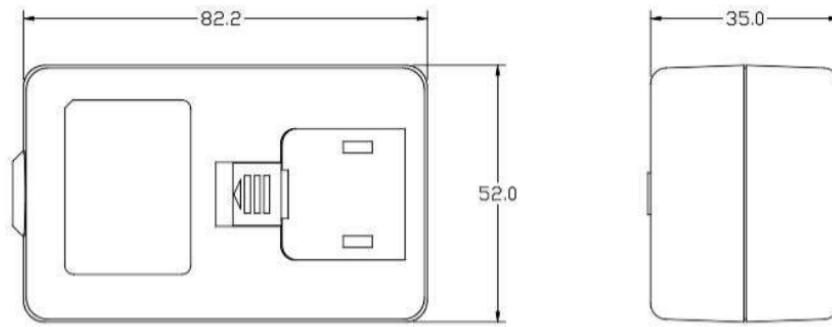
EMC Immunity (2014/30/EU)

	Standard	Test Level	Criteria	Notes
EMS	EN 55035			
EMS	EN 61204-3			
ESD	IEC 61000-4-2		B	Contact: +/- 4KV; Air: +/- 8KV
RS	IEC 61000-4-3			Frequency: 80-1000MHz; Field Strength: 3V/M ' 80% AM (1KHz)
EFT	IEC 61000-4-4		A/B	0.5/1.0KV on input AC power ports
Surge	IEC 61000-4-5		A	Line to Line: +/- 1KV (peak); Line to F.G: +/- 2KV (peak)

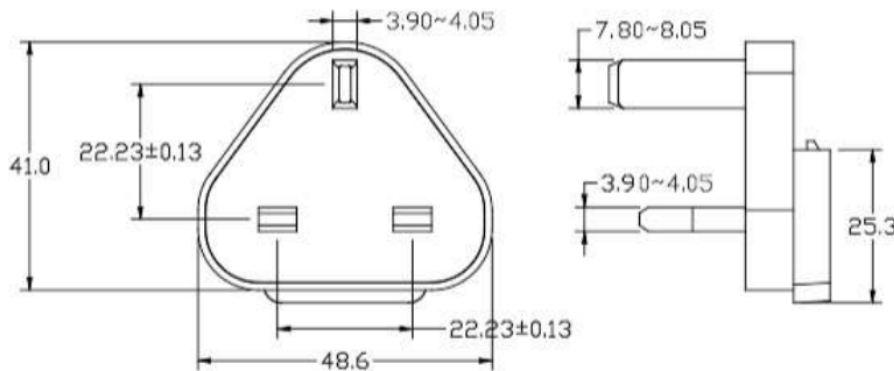
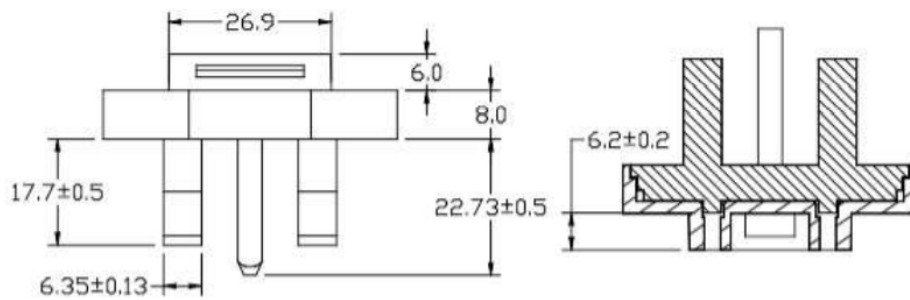
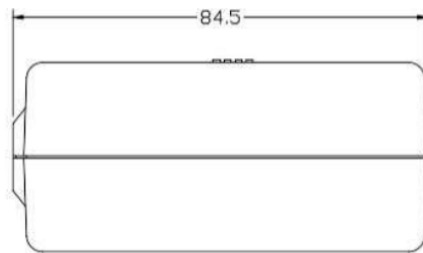
Safety Approvals

	Safety Standards
RoHS/REACH	RoHS Directive (EU) 2015/863 & REACH (205 SVHC)
CE LVD Directive 2014/35/EU	Yes (UK/European) – Only applicable for UK & EURO plugs.
cULus	Yes – Only applicable for US plug.
TUV	Yes (German/European) – Only applicable for EURO plug.
RCM & C-Tick	Yes – Only applicable for Australian plug.

Mechanical Drawing

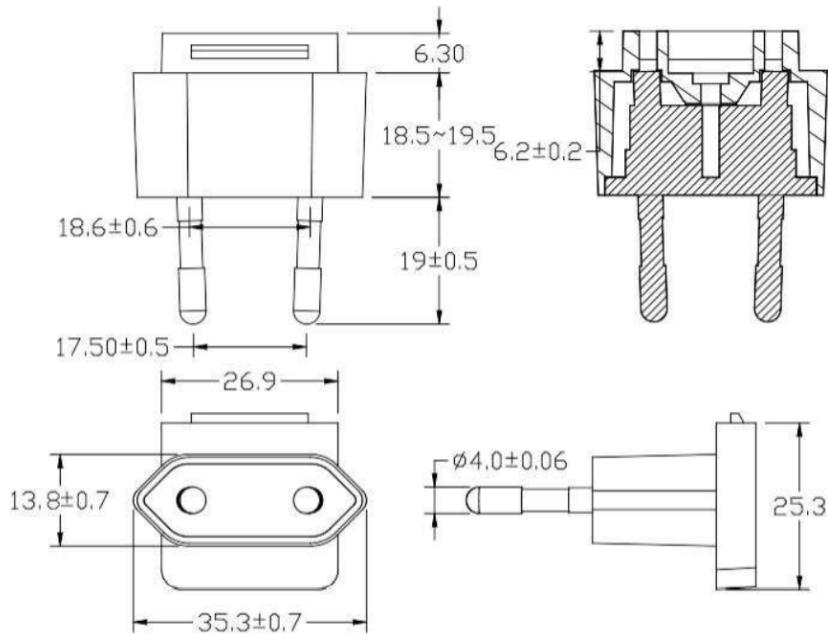


CASE

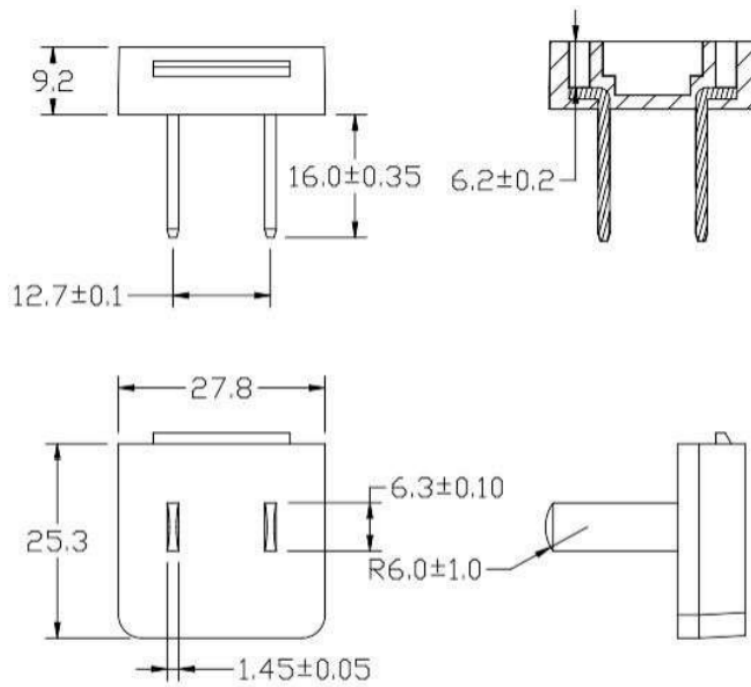


UK PIN

Mechanical Drawing (Continued)



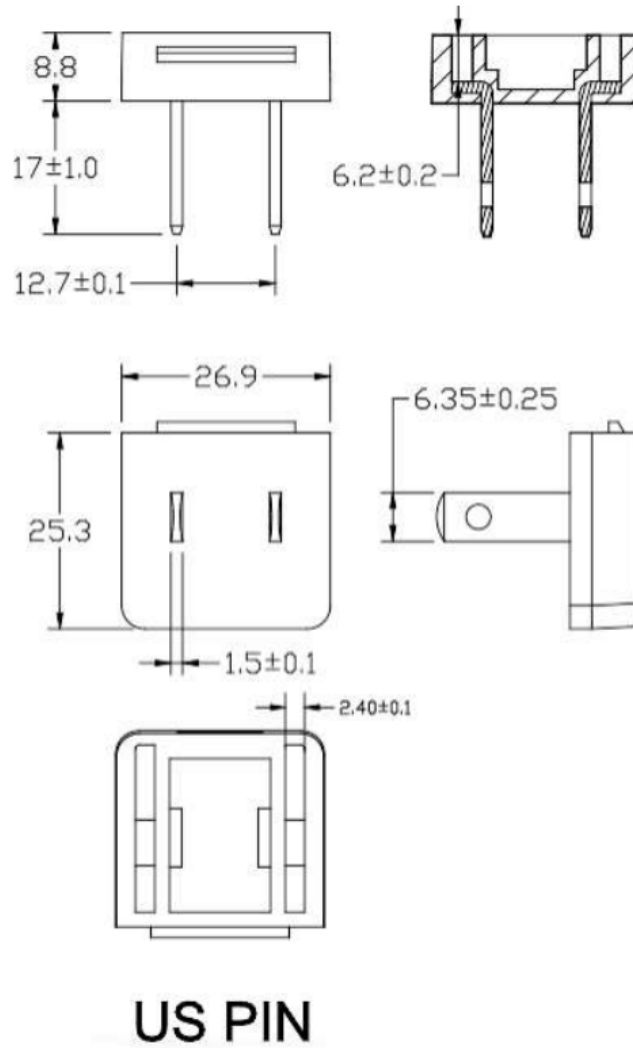
EU PIN



CCC PIN

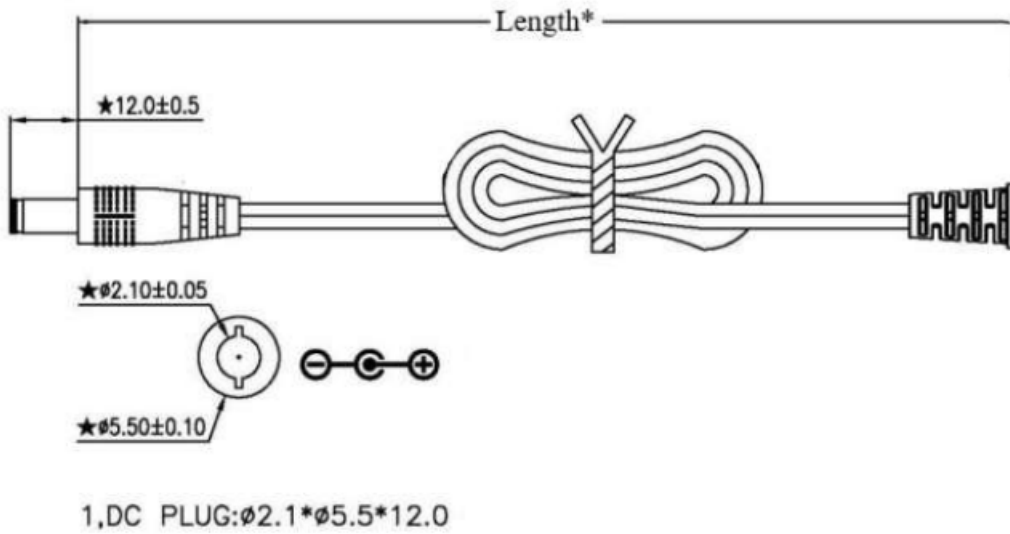
AC - DC

Mechanical Drawing (Continued)



AC – DC

Cable



Model Number	Output Cable
15DYS850-090500W-K	1.2m* UL2468 18A WG lead
15DYS850-120420W-K	1.2m* UL2468 20A WG lead
15DYS850-150336W-K	1.2m* UL2468 22A WG lead
15DYS850-180280W-K	1.2m* UL2468 22A WG lead
15DYS850-240210W-K	1.2m* UL2468 22A WG lead
15DYS850-300168W-K	1.2m* UL2468 24A WG lead